

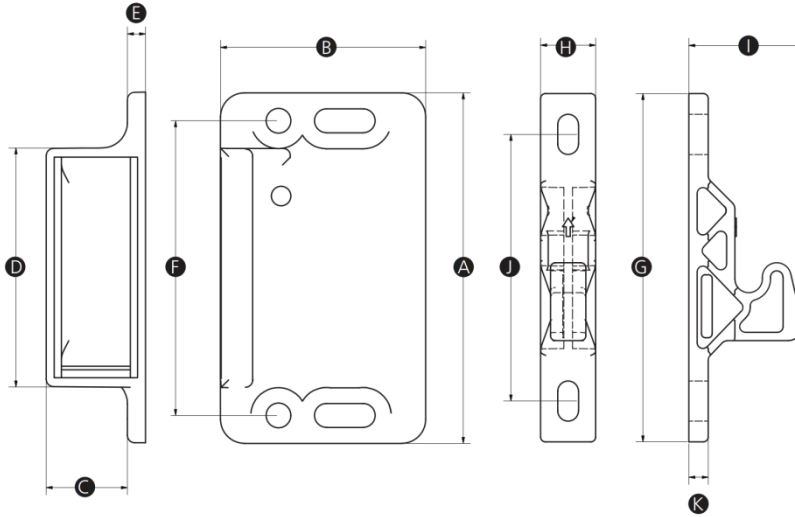
G01PL Push-to-Close Grabber Door Catch (Side Mount)

Features

- Push-to-close, pull-to-open latch with spring loaded over centre action
- Side mount installation
- Can be screwed or riveted to door or frame

Material

- Reinforced nylon, black



Part No.	A	B	C	D	E	F	G	H	I	J	K	Bore Size	Pull Force
G01PL-16055R												3.4, 3.4x8.4	13 N
G01PL-16050P	48	28	11	33	2.5	40.5	72	11.4	23.5	55	4		22 N
G01PL-16056Y													44 N